

SCORPION



SCORPION



GREENTEC
Cutting Edge Technology



HIGH-TECH CARE & MAINTENANCE OF GREEN AREAS

GreenTec is a Danish company specialized in machines for the maintenance of green areas. Our products are based on almost 30 years of experience in the field.

We proudly present our Scorpion reach mower series in this brochure.

The Scorpion reach mowers have many innovative features that provide environmentally and economically benefits for the user while increasing the driving experience and road safety.

All machines are developed in a simple and functional design at our facilities in Denmark. We guarantee high quality and reliable products.

CONTENTS

Scorpion models	4
Innovation	6
Specifications	7
4-point mounting	8
Strenx	8
Auto Height Control (AHC)	8
Scorpion Hybrid Arm System	9
Rotor Flex.....	9
Scorpion 4 S & PLUS	10
Scorpion 4 S & PLUS (BASIC FRONT) ..	12
Scorpion 6 S & 6 PLUS.....	14
Scorpion 8 S & 8 PLUS.....	16
Attachment tools	18



OUR WARRANTY

GreenTec provides a 2-year warranty on all machines. See more on our website: www.greentec.eu



THE SCORPION - FOR YOUR NEEDS

GreenTec offers 3 series of hydraulic boom mowers in 16 different models. The Scorpion series has horizontal reaches from 3.3 to 8.3 m (10'10" to 27'3") and provides innovative solutions that benefit the driving experience, road safety and increase the work capacity which leads to a better economy.

SCORPION MODELS



SCORPION 4 S & PLUS

13

Tools



m

3.3-4.3



m

3.1-4.1



kg

1500-2200

2

years

WARRANTY



The Scorpion 4 series consists of compact reach mowers intended for smaller tractors, implement carrier, skid steer loaders and the like.

The models are available in horizontal working widths of 3.3 and 4.3 m (10'10" and 14'1").

The boom mowers are manufactured in Strenx 700 high strength steel and delivered with a Hybrid Arm System, 4-point mounting system and Danfoss proportional hydraulic valve with a mini joystick.

SCORPION 4 S & PLUS (BASIC FRONT)

13

Tools



m

3.3-4.3



m

3.1-4.1



kg

2250-3000

2

years

WARRANTY



The Scorpion 4 series is build in a modular system and available in different versions.

PTO driven versions:

- Rear mounted in three-point suspension, cat. 1 & 2, 350-540 rpm
- Front mounted in three-point suspension, cat. 1 & 2, 600-1000 rpm
- Reverse mounted in three-point suspension, cat. 1 & 2, 350-540 rpm

Basic versions (Oil supplied from loader, implement carrier or tractor):

- Front mounted with loader brackets
- Front mounted with special brackets
- Front mounted in the three-point suspension

SCORPION 6 S & PLUS

20
Tools

↔
m
5.3-6.3

↑
m
5.1-6.1

kg

4000-5000

2
years
WARRANTY



The Scorpion 6 series is available in four models and is rear mounted.

The Scorpion 6 series is designed for medium-sized tractors with a weight of at least 4000 kg (8,818 lb). The patented 4-point mounting system connects the tractor and the boom mower and gives 100% stability. It is also easy to mount.

The Hybrid Arm System provides great flexibility and increases the work capacity and environment. The Danfoss hydraulic system on the 6 PLUS models ensures high reliability and output. Furthermore, the joystick is easy to operate.

SCORPION 8 S & PLUS

20
Tools

↔
m
7.3-8.3

↑
m
7.1-8.1

kg

7000-8000

2
years
WARRANTY



The Scorpion 8 series represents the largest boom mowers in the Scorpion range. It consists of four models.

The Scorpion 8 series is suitable for large tractors with a weight of 7,000 kg (15,432 lb) and above. All scorpion models are manufactured in Strenx 700 high strength steel. You truly see the greatness of the Strenx steel at the longer reaches as it reduces the weight while increasing the strength.

The boom mowers are easily fitted with a 4-point mounting system which is connected to the 3-point hitch of the tractor and two K80 ball hitches as well.

INNOVATION



Hybrid Arm System (Patented)

GreenTec has developed an arm system which basically makes the arm operable with or without parallel motion. You can enable or disable the parallel motion feature from the control panel of the machine. The patented arm system makes the work more efficient and rewards the driver with greater job satisfaction.

#1

4-point mounting (Patented)

The mounting system gives great stability even at reaches above 8 m (27').

#3

Rotor Flex – Forward reach

The double pivot joint allows the cutting head to be moved forward in the driver's natural field of vision, so the driver can see both the cutting head and the material that needs to be crushed. Rotor Flex* provides incredible flexibility and increases the capacity.

#4

#2

#5

Auto Height Control (AHC) – Optional equipment

AHC is used for grass mowing and ensures that the cutting head floats above the terrain. It relieves the driver of maneuvering operations, increases road safety and lowers maintenance costs.

Strenx steel
The Scorpion series is manufactured in Strenx 700 structural steel. The arm is built in a special design with internal bracers. Combined with the Strenx steel, it optimizes the weight and strength ratio.



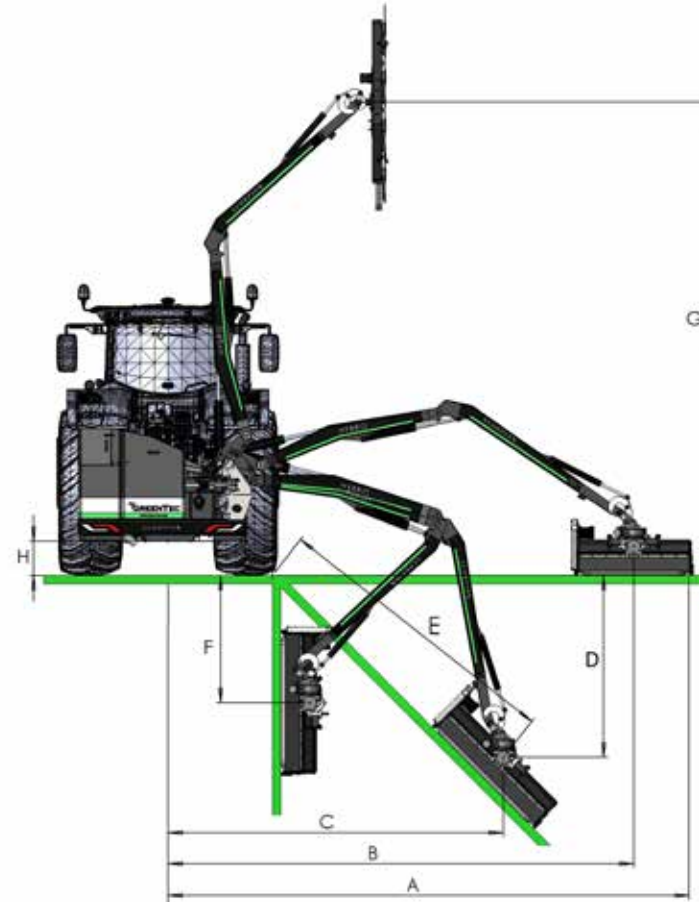
* The Rotor Flex is standard equipment for the PLUS-series but is available as optional equipment for the S-series (Only Scorpion 6 & 8).

SCORPION SPECIFICATIONS

MODEL	330-4 S	430-4 S	330-4 PLUS	430-4 PLUS	530-6 S	630-6 S	530-6 PLUS	630-6 PLUS	730-8 S	830-8 S	730-8 PLUS	830-8 PLUS
Horizontal reach (m)	3.3	4.3	3.3	4.3	5.3	6.3	5.3	6.3	7.3	8.3	7.3	8.3
Vertical reach (m)	3.1	4.1	3.1	4.1	5.1	6.1	5.1	6.1	7.1	8.1	7.1	8.1
Transport width (m)	1.8	2.2	1.8	2.2	2.2	2.2	2.2	2.2	2.4	2.5	2.4	2.5
Hydraulic system	52 l/min @ 210 bar		52 l/min @ 210 bar		115 l/min @ 230 bar		125 l/min @ 315 bar		115 l/min @ 230 bar		125 l/min @ 315 bar	
Min. size of vehicle (kg)	1,500	2,000	1,650	2,200	4,000	5,000	4,000	5,000	7,000	8,000	7,000	8,000
Weight (kg)	570	590	610	630	1,235	1,270	1,370	1,395	1,475	1,505	1,600	1,630



MODEL	330	430	530	630	730	830
A (m)	3.3	4.3	5.3	6.3	7.3	8.3
B (m)	2.9	3.9	4.7	5.7	6.7	7.7
C (m)	1.9	2.6	3.4	4.1	4.8	5.6
D (m)	0.8	0.9	1.8	2.2	2.6	3.1
E (m)	1.9	2.6	3.0	3.7	4.4	5.0
F (m)	0.8	1.2	1.5	1.8	2.2	2.6
G (m)	3.1	4.1	5.1	6.1	7.1	8.1
H (m)	0.4	0.4	0.4	0.4	0.4	0.4



4-POINT MOUNTING (Patented)

All Scorpions come with a 4-point mounting system.

Instead of the traditional three-point mounting, the Scorpion models have four mounting points on the mainframe. The two lower points are connected to the tractor's lift arms while the two upper points are attached to a triangular frame in the tractor's top link bracket or a K80 ball hitch. If the boom mower has a horizontal reach larger than 7 m (23'), it is stabilized with additional connections from the machine to the tractor's drawbar or K80 ball hitch.

The 4-point mounting system is an incredibly easy solution and provides 100% stability between the boom mower and the tractor.



4-POINT MOUNTING

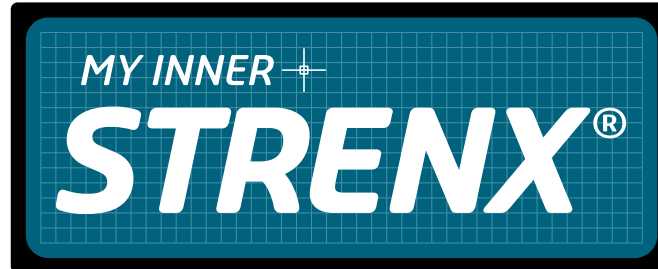
- Stable mounting system up to 8.3 m (27'3") horizontal reach
- Fast and easy mounting

STRENX STEEL

Strenx steel is a collective name for all the high strength steel brands supplied by the Swedish Steel Group SSAB. It includes Optim, Weldox and Domex to name a few.

In June 2019, GreenTec became a certified user of Strenx steel. It has cleared the way for more opportunities to manufacture new and competitive products in a lighter, stronger and environmentally friendly design.

All Scorpion boom mowers are manufactured in Strenx 700 steel and it optimizes the weight and strength ratio significantly.



MY INNER STRENX

- World's strongest manufacturing steel
- 25% weight reduction
- 50% stronger construction
- „My Inner Strenx“-Partner

AUTO HEIGHT CONTROL (AHC)

The AHC is available as optional equipment for the Scorpion 6 and 8 series.

AHC is used for verge and ditch mowing. It ensures that the cutting head floats above the surface and does not mow into the ground by following the contours of the terrain. This is all done automatically. The driver does not need to maneuver the boom mower with the joystick. AHC can be enabled from the cabin and the driver can concentrate on the traffic and potential obstacles in the way. The fact that the cutting head floats above the ground contributes to far less stress on the device which results in fewer maintenance costs.



AUTO HEIGHT CONTROL

- Work relief for the driver
- Increased road safety
- Lower maintenance costs
- Increased capacity

SCORPION HYBRID ARM SYSTEM (Patented)

The Scorpion models have an innovative arm control concept which provides new opportunities and advantages.

The brief explanation is that the Scorpion models can be controlled with or without parallel motion and you will achieve the best of both worlds on the same machine. The parallel motion takes place through a Master Slave System and is especially used for hedge trimming. The non-parallel motion shines in cramped conditions, such as forest roads and trails. It can also be particularly useful for grass mowing in slopes and ditches.

There is no need to acquire a telescopic extension for the arm due to the great flexibility of the Hybrid Arm System.

The two outer arms on the reach mower are remarkably compact. With the use of the short inner arm, you can achieve the flexibility that a regular telescopic extension would give. It simplifies the construction of the machine and reduces the overall weight.

It is easy to disable or enable the use of the parallel motion through the control panel. The functionalities of the arm are controlled through a joystick.



HYBRID ARMSYSTEM

- Increased flexibility
- Greater capacity
- Reduced weight



ROTOR FLEX

- Better visibility
- Increased flexibility
- Greater capacity

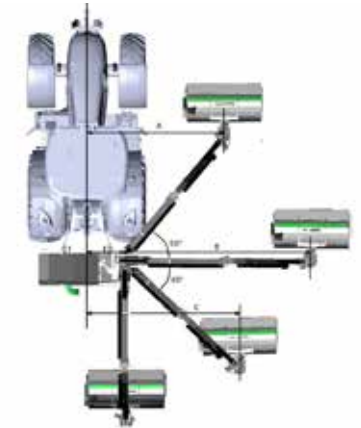
ROTOR FLEX WITH AUTOMATIC VERTICAL POSITIONING

As a standard, the arm on the Scorpion models can be turned 155 degrees (55° forward and 100° back).

Rotor Flex has a double pivot joint which enables you to move the cutting head forward, so it is in the driver's natural field of vision.

The cutting head can also be moved behind the vehicle which is useful for verge mowing on small roads with oncoming traffic.

Rotor Flex automatically positions the vertical pivot joint correctly. It relieves the stress on the driver and is applied for hedgerow maintenance as the saw or cutter bar automatically is adjusted to cut vertically.



Ask your dealer for a demonstration and be prepared to be blown away by the amazing Auto Height Control (AHC), Hybrid Arm System and Rotor Flex.

SCORPION 4-SERIES



4 S-SERIES	330	430
Horizontal reach (m)	3.3	4.3
Vertical reach (m)	3.1	4.1
Transport width (m)	1.8	2.2
Min. size of vehicle (kg)	1,500	2,000
Weight (kg)	570	590
Rotor Flex	N/A	N/A
Auto Flex	N/A	N/A

4 PLUS-SERIES	330	430
Horizontal reach (m)	3.3	4.3
Vertical reach (m)	3.1	4.1
Transport width (m)	1.8	2.2
Min. size of vehicle (kg)	1,650	2,200
Weight (kg)	610	630
Rotor Flex	Standard	Standard
Auto Flex	Standard	Standard

SCORPION 330 S & 430 S / SCORPION 330 PLUS & 430 PLUS

The Scorpion 4 series consists of compact reach mowers intended for smaller tractors. There are four models in the series which have horizontal working widths of 3.3 and 4.3 m (10'10" and 14'1").

The boom mowers are manufactured in Strenx 700 high strength steel and delivered with a Hybrid Arm System, 4-point mounting system and Danfoss proportional hydraulic valve with a mini joystick.

PTO driven versions:

- Rear mounted in three-point suspension, cat. 1 & 2, 350-540 rpm
- Front mounted in three-point suspension, cat. 1 & 2, 600-1000 rpm
- Reverse mounted in three-point suspension, cat. 1 & 2, 350-540 rpm



**4 S
JOYSTICK**



**4 PLUS
JOYSTICK**



LogTec Safe



EQUIPMENT & SPECIFICATIONS

ARM SYSTEM

- Hybrid Arm System with dual function
- 155° hydraulic turn of the arm with power control
- Strenx 700 steel construction
- Rotor Flex, double pivot joint with 221° turn of cutting head and 180° cutting angle (standard 4 PLUS)
- Auto Flex, aut. adjust. of vertical position (standard 4 PLUS)

HYDRAULIC SYSTEM

- 32 ccm gear pump
- 52 l/min @ 210 bar (13.7 gpm @ 3046 psi) pump output
- Danfoss proportional valve PVG 16
- Mini joystick with 3 proportional functions
- 2 oil flows, 40 and 25 l/min (10.6 and 6.6 gpm)
- Hydraulic float of arm and cutting angle
- 80 l (21 gallons) oil tank capacity
- Oil cooler

MOUNTING & SAFETY

- 4 -point mounting for cat. 1 or 2
- PTO rear mounted, 350-540 rpm
- PTO front mounted, 600-1000 rpm
- PTO reverse mounted, 350-540 rpm
- Automatic Hydraulic Security (AHS)
- Holes for pallet trucks
- Low transport height at 1.22 m (4')
- Transport safety
- LED lights

OPTIONAL EQUIPMENT

- Quick release, hydraulic
- Quick release, mechanical
- 90 kg (198 lb) counterweights
- Bio oil

SCORPION 4-SERIES (BASIC FRONT)



4 S-SERIES (BASIC FRONT)	330	430
Horizontal reach (m)	3.3	4.3
Vertical reach (m)	3.1	4.1
Transport width (m)	1.8	2.2
Min. size of vehicle (kg)	2,250	3,000
Weight (kg)	500	520
Rotor Flex	N/A	N/A
Auto Flex	N/A	N/A

4 PLUS-SERIES (BASIC FRONT)	330	430
Horizontal reach (m)	3.3	4.3
Vertical reach (m)	3.1	4.1
Transport width (m)	1.8	2.2
Min. size of vehicle (kg)	2,250	3,000
Weight (kg)	540	560
Rotor Flex	Standard	Standard
Auto Flex	Standard	Standard

SCORPION 330 S & 430 S / SCORPION 330 PLUS & 430 PLUS

The Scorpion 330 & 430 Basic Front can be front mounted on loaders and implement carriers. There are four models in the series which have horizontal working widths of 3.3 and 4.3 m (10'10" and 14'1").

The boom mowers are manufactured in Strenx 700 high strength steel and delivered with a Hybrid Arm System, 4-point mounting system and Danfoss proportional hydraulic valve with a mini joystick.

Basic versions (Oil supplied from loader, implement carrier or tractor):

- Front mounted with loader brackets
- Front mounted with special brackets
- Front mounted in the 3-point suspension



4 S JOYSTICK

4 PLUS JOYSTICK

LogTec Safe

SCORPION 4-SERIES (BASIC FRONT)



EQUIPMENT & SPECIFICATIONS

ARM SYSTEM

- Hybrid Arm System with dual function
- 155° hydraulic turn of the arm with power control
- Strenx 700 steel construction
- Rotor Flex, double pivot joint with 221° turn of cutting head and 180° cutting angle (standard 4 PLUS)
- Auto Flex, aut. adjust. of vertical position (standard 4 PLUS)

HYDRAULIC SYSTEM

- Oil supply from vehicle
- Minimum supply of oil, 52 l/min @ 210 bar (13.7 gpm @ 3046 psi)
- Danfoss proportional valve PVG 16
- Mini joystick with 3 proportional functions
- 2 oil flows, 40 and 25 l/min (10.6 and 6.6 gpm)
- Hydraulic float of arm and cutting angle
- Oil cooler

MOUNTING & SAFETY

- 4 -point mounting for cat. 1 or 2
- Automatic Hydraulic Security (AHS)
- Holes for pallet trucks
- Low transport height at 1.22 m (4')
- Transport safety
- LED lights

OPTIONAL EQUIPMENT

- Brackets for loaders and implement carriers
- Quick release, hydraulic
- Quick release, mechanical
- 90 kg (198 lb) counterweights

SCORPION 6-SERIES



MODEL	530-6	630-6
Horizontal reach (m)	5.3	6.3
Vertical reach (m)	5.1	6.1
Transport width (m)	2.2	2.2
Min. size of vehicle (kg)	4,000	5,000
Weight (kg): S series	1,235	1,270
Weight (kg): PLUS series	1,370	1,395



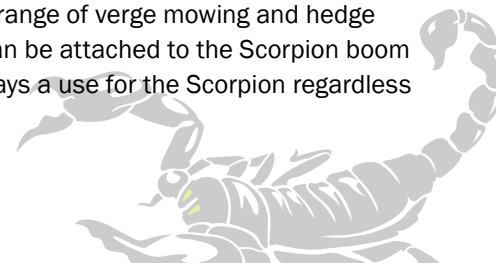
SCORPION 530 S & 630 S/ 530 PLUS & 630 PLUS

The Scorpion 6 series consists of medium-sized reach mowers and they are used by contractors and farmers. The Scorpion 6 models are designed for regular tractors and can be rear mounted.

The boom mowers are manufactured in Strenx 700 high strength steel which optimizes the weight and strength of the arm.

The Scorpion 6 series is delivered with a 4-point mounting system, Danfoss joystick control, Air Stream Control, etc. The Hybrid Arm System makes it possible to switch between the parallel and non-parallel motion.

GreenTec has a wide range of verge mowing and hedge trimming tools that can be attached to the Scorpion boom mowers. There is always a use for the Scorpion regardless of the season.





EQUIPMENT & SPECIFICATIONS

ARM SYSTEM

- Hybrid Arm System with dual function
- 155° hydraulic turn of the arm with power control
- Strenx 700 steel construction
- Rotor Flex, double pivot joint (standard 6 PLUS)
- Auto Flex, aut. adjust. of vertical position (standard 6 PLUS)

HYDRAULIC SYSTEM

Series 6 S: 56 ccm gear pump
115 l/min @ 230 bar pump output
(30.4 gpm @ 3336 psi)

Series 6 PLUS: Danfoss 60 ccm piston pump
125 l/min @ 315 bar pump output
(33 gpm @ 4569 psi)

- Danfoss proportional valve PVG 32/16
- Danfoss joystick with 4 proportional functions
- 2 oil flows, 85 and 50 l/min (22.5 and 13.2 gpm)
- Hydraulic float of arm and cutting angle
- Air Stream Control – effective oil cooling
- 220 l (58 gallons) oil tank capacity

MOUNTING & SAFETY

- 4-point mounting for cat. 2 or 3
- PTO rear mounted, 450-850 rpm (6 S)
- PTO rear mounted, 450-750 rpm (6 PLUS)
- Automatic Hydraulic Security (AHS)
- Transport safety
- LED lights

OPTIONAL EQUIPMENT

- Auto Height Control for verge mowing (AHC)
- Rotor Flex, double pivot joint (6 S)
- Auto Flex, aut. adjust. of vertical position (6 S)
- Quick release, hydraulic
- Quick release, mechanical
- Hose kit, 4 pieces
- K80 ball hitch for 4-point mounting
- 430 kg (948 lb) counterweights
- Leaf Blower LG
- Bio oil

SCORPION 8-SERIES



MODEL	730-8	830-8
Horizontal reach (m)	7.3	8.3
Vertical reach (m)	7.1	8.1
Transport width (m)	2.4	2.5
Min. size of vehicle (kg)	7,000	8,000
Weight (kg): S series	1,475	1,505
Weight (kg): PLUS series	1,600	1,630



SCORPION 730 S & 830 S/ 730 PLUS & 830 PLUS

The Scorpion 8 series consists of large reach mowers for professional users, such as contractors and farmers performing roadside and hedgerow maintenance.

The reach mowers have a high weight and must be rear mounted on large tractors to gain stability. The boom mowers are manufactured in Strenx 700 high strength steel which truly shines when it comes to weight management of larger machines.

The Scorpion 8 series comes with a 4-point and K80 mounting system, Danfoss joystick control, Air Stream Control, etc. The Hybrid Arm System makes it possible to switch between the parallel and non-parallel motion.

GreenTec has a wide range of verge mowing and hedge trimming tools that can be attached to the Scorpion boom mowers. There is always a use for the Scorpion regardless of the season.





EQUIPMENT & SPECIFICATIONS

ARM SYSTEM

- Hybrid Arm System with dual function
- 155° hydraulic turn of the arm with power control
- Strenx 700 steel construction
- Rotor Flex, double pivot joint (standard 8 PLUS)
- Auto Flex, aut. adjust. of vertical position (standard 8 PLUS)

HYDRAULIC SYSTEM

Series 8 S: 56 ccm gear pump
115 l/min @ 230 bar pump output
(30.4 gpm @ 3336 psi)

Series 8 PLUS: Danfoss 60 ccm piston pump
125 l/min @ 315 bar pump output
(33 gpm @ 4569 psi)

- Danfoss proportional valve PVG 32/16
- Danfoss joystick with 4 proportional functions
- 2 oil flows, 85 and 50 l/min (22.5 and 13.2 gpm)
- Hydraulic float of arm and cutting angle
- Air Stream Control – effective oil cooling
- 220 l (58 gallons) oil tank capacity

MOUNTING & SAFETY

- 4-point mounting for cat. 2 or 3
- PTO rear mounted, 450-850 rpm (8 S)
- PTO rear mounted, 450-750 rpm (8 PLUS)
- Automatic Hydraulic Security (AHS)
- Transport safety
- LED lights

OPTIONAL EQUIPMENT

- Auto Height Control for verge mowing (AHC)
- Rotor Flex, double pivot joint (8 S)
- Auto Flex, aut. adjust. of vertical position (8 S)
- Quick release, hydraulic
- Quick release, mechanical
- Hose kit, 4 pieces
- K80 ball hitch for 4-point mounting
- 430 kg (948 lb) counterweights
- Leaf Blower LG
- Bio oil

ATTACHMENT TOOLS

ATTACHED TO SCORPION 4 S & PLUS



Rotary Hedge Cutter RC 102



Flail Mower FR 92



Cutterbar HL 152 - 242



Quadsaw LRS 1402



Cutterbar HS 172



Rotary Hedge Cutter RC 132



Flail Mower FR 112



Quadsaw LRS 1602



Grass Cutterbar S 165 & 190

**ATTACHED TO SCORPION
6 S & 6 PLUS / 8 S & 8 PLUS**



Flail Mower FR 122 & 162



Quadsaw LRS 2002 & 2402



Rotary Mulcher RM 232



Rotary Hedge Cutter RC 162



Cutterbar HX 170 - 270



Cutterbar HS 212 & 242



Rotary Crusher GT 135 & 155*



Weed Clearing Brush BR 90



Grass Cutterbar S 165 - 240

GreenTec offers the widest selection of tools for landscape maintenance.

View more on:
www.GreenTec.eu



Rotary Ditch Cleaner GR 70



Leaf Blower LG

* The Rotary Crusher GT 155 can only be mounted on the Scorpion 830-8 PLUS



DEALER:

We reserve the right to make technical changes. Technical information and images are approximated. VER 9.0 EN